



Mercedes-Benz  
approved



Capacity 6,5 T

#### DESCRIPTION

##### **SQ652 MB**

Electro-hydraulic 4 post lift, capacity 6,5 T

*Supplied with the lift:*

- Alignment runways
- Rear built-in sliding tables front spacers for turn tables
- Long run-up ramps

**J40PMB - 4t** Jacking Beam with MB specific adapters (spiral cable included)

**MKS** - system to check lift planarity. The MKS kit allows to place the four targets and check the perfect lift planarity. Targets, cameras and turn tables are part of the wheel aligner and not included with the lift.

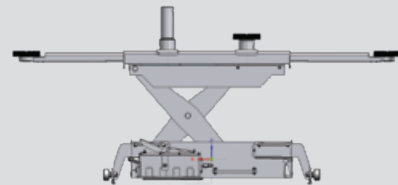
Lighting Kit - four led

Energy Kit:

- 2 compressed air quick connections
- 1 electric plug Schuko 220V single phase

##### **J40PMB**

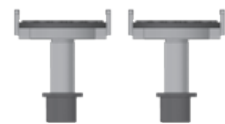
*Includes:*



##### **S305A4**



##### **S370A19**



##### **S224A3** H=140 MM

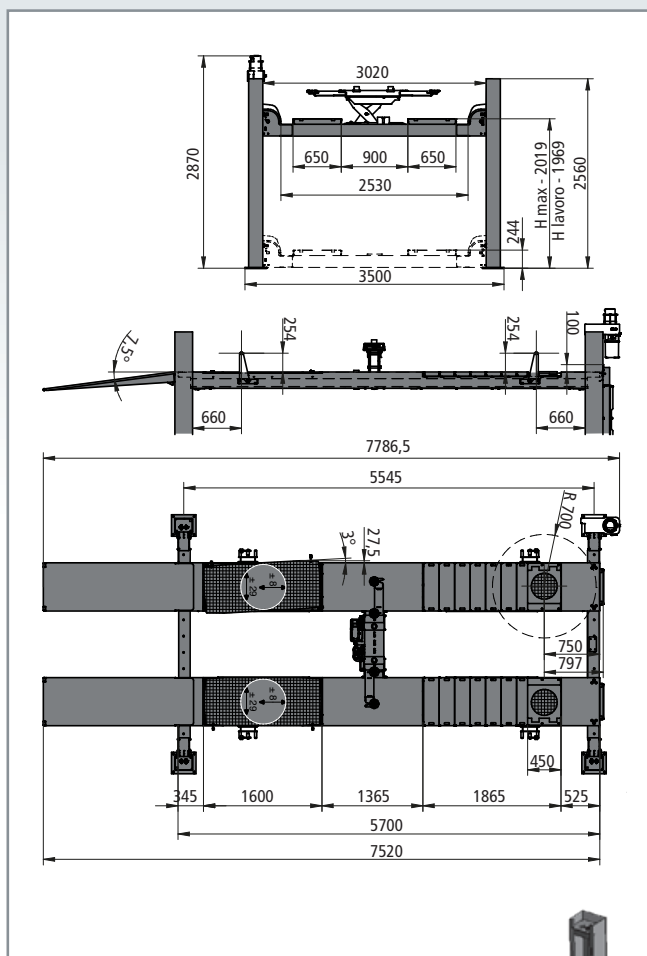


##### **S224A4** H=80 MM



**SQ652 MB**

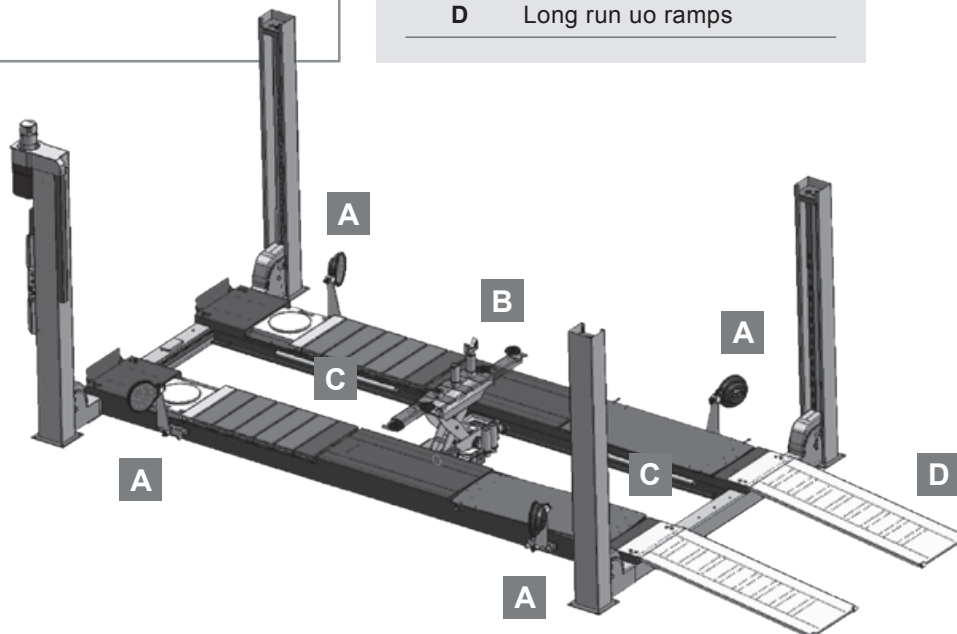
Electrohydraulic  
4-post lifts



Alignment runways  
Rear built-in  
sliding tables front  
spacers for turn  
tables

The MKS kit allows to place the  
four targets and check the perfect  
lift planarity.  
Targets, cameras and turn tables  
are part of the wheel aligner and  
are not included with the lift.

- A MKS system to check lift planarity
- B J40PMB - 4t jacking beam with MB specific adapters (spiral cable included)
- C Lighting kit - four led
- D Long runuo ramps



## SPACE s.r.l. a s.u.

Via Sangano, 48  
10090 Trana - Torino - ITALY  
tel. +39-011-934.40.300  
fax +39-011-933.88.64  
e-mail: info@spacetest.com  
www.spacetest.com