



Mercedes-Benz  
approved



Capacity 4 T

#### DESCRIPTION

##### **SQ406 MB**

Electro-hydraulic 4 post lift, capacity 4 T

*Supplied with the lift:*

- Alignment runways
- Rear built-in sliding tables front spacers for turn tables
- Long run-up ramps

**J40PMB - 4t** Jacking Beam with MB specific adapters (spiral cable included)

**MKS** - system to check lift planarity.  
The MKS kit allows to place the four targets and check the perfect lift planarity.  
Targets, cameras and turn tables are part of the wheel aligner and not included with the lift.

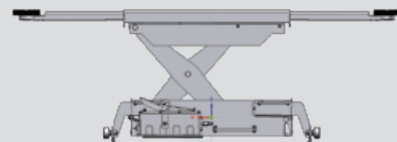
Lighting Kit - four led

Energy Kit:

- 2 compressed air quick connections
- 1 electric plug Schuko 220V single phase

##### **J30PMB**

*Includes:*



##### **S305A4**



##### **S370A19**



##### **S224A3** H=140 MM



##### **S224A4** H=80 MM

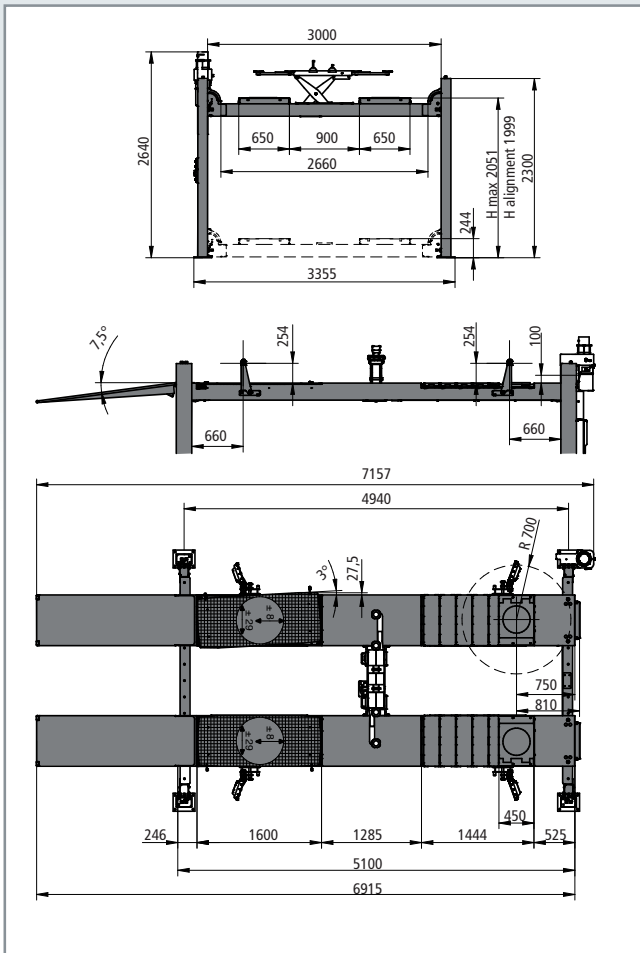


**SQ406 MB**

Electrohydraulic  
4-post lifts



COMPANY WITH  
QUALITY SYSTEM  
CERTIFIED BY DNV GL  
= ISO 9001 =

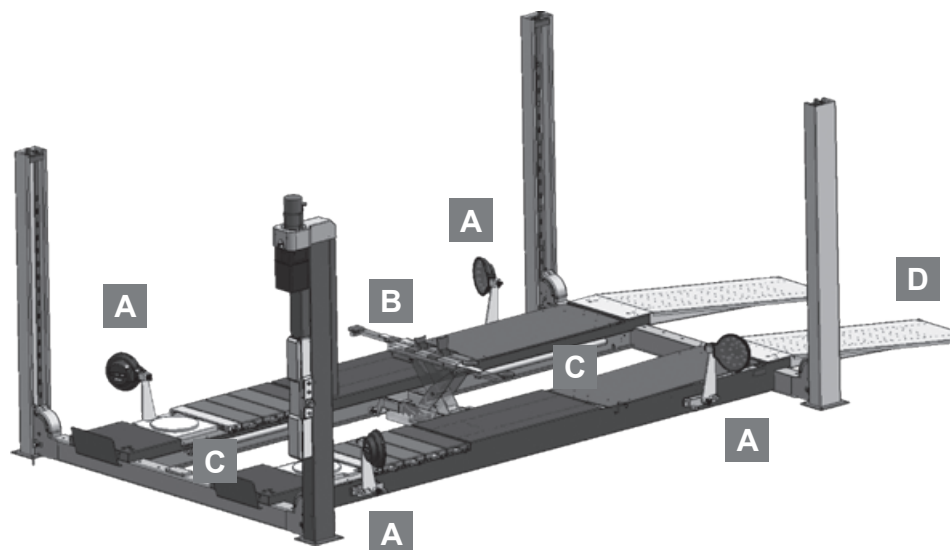


Alignment runways  
Rear built-in  
sliding tables front  
spacers for turn  
tables

The MKS kit allows to place the  
four targets and check the perfect  
lift planarity.

Targets, cameras and turn tables  
are part of the wheel aligner and  
are not included with the lift.

- A MKS system to check lift planarity
- B J30PMB - 3t jacking beam with MB specific adapters (spiral cable included)
- C Lighting kit - four led
- D Long runuo ramps



## SPACE s.r.l. a s.u.

Via Sangano, 48  
10090 Trana - Torino - ITALY  
tel. +39-011-934.40.300  
fax +39-011-933.88.64  
e-mail: info@spacetest.com  
www.spacetest.com

Le caratteristiche tecniche e gli allestimenti presentati in questo prospetto possono subire variazioni. Le immagini riprodotte non sono vincolanti.  
Technical data and composition presented in this catalogue may vary.  
Pictures reproduced are only indicative.

Die techn. Daten und die Ausrüstungen, die in diesem Prospekt enthalten sind, können Änderungen erfahren. Deshalb sind die Abbildungen unverbindlich.  
Les caractéristiques techniques et les compositions présentées dans ce prospectus peuvent subir des variations. Les images reproduites n'ont qu'une valeur indicative.

Las características técnicas y las composiciones ilustradas en este folleto pueden sufrir variaciones. Las imágenes propuestas son solamente indicativas.